

Instructions for "Original" Floyd Rose Locking Tremolo

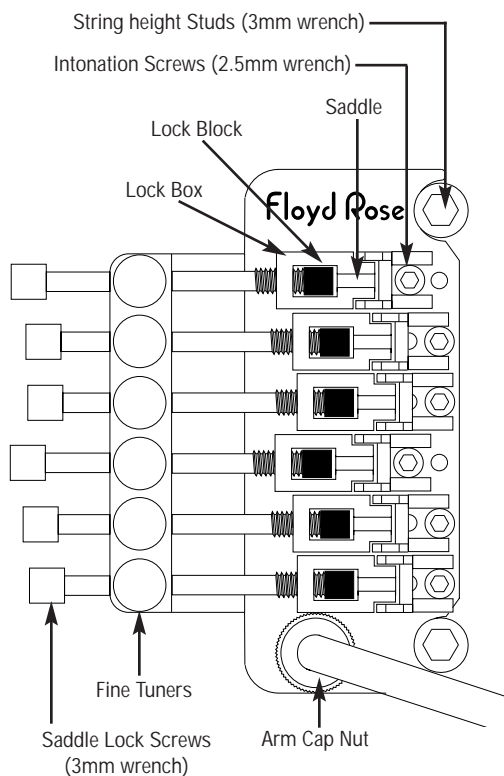
The Original Floyd Rose is the most rugged and dependable locking tremolo made today. With replacement parts available at most guitar repair shops, the serviceability and playability can't be beat, and will stay that way for years to come.

Changing Strings

- Loosen strings completely by turning machine heads.
- Loosen the string lock thumb screws counter clockwise on the back of the Sperzel gears. You only need to turn these screws about 2 or 3 turns.
- Loosen saddle lock screws with 3mm allen wrench.
- Remove strings.
- Remove broken string bits from lock box with small magnetic screwdriver or long nose tweezers.
- Normalize the tremolo fine tuners to the mid point of their travel.
- Cut ball ends and extra wraps off of the new strings.
- Insert new strings into lock box, sandwiched between lock box wall and lock block.
- Tighten saddle lock screws real snug, but do not over tighten them.
- Slide string through the small hole in the string post. Take up all the slack then tighten the thumb screw on the back. Cut off the excess string and then tune your guitar.
- Tune up from low E (6th) string to high E (1st) string, 6 or 7 times in order to stretch the tremolo springs.
- Stretch your strings using the tremolo arm.
- When strings hold their pitch relative to each other, then tuning is complete.
- Fine tune using the fine tuners.

Tips:

- Don't rest palm on tremolo while tuning up or fine tuning.
- Over tightening of saddle lock screws can cause: Lock box walls to crack, distortion of shape of the lock block, rounding of allen sockets, and, or cause rapid string breakage.
- When stringing up the Sperzel tuners do not wrap multiple string wraps around the post. Eliminate as many wraps as possible to keep your guitar in better tune. $\frac{1}{2}$ of a turn around the string post should be considered maximum.



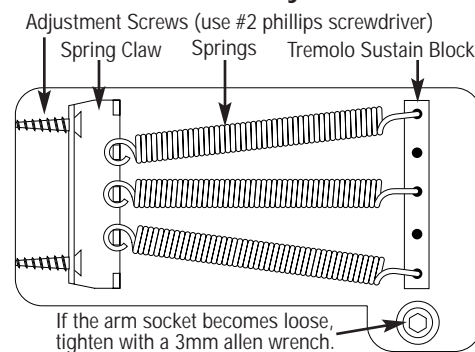
Attaching Arm:

- Slide tremolo arm into socket.
- Turn the arm cap nut clockwise about 4 turns until it stops.
- If you want your arm to stay up then tighten the cap nut fairly tight. If you want your arm to swing freely then back off slightly on the cap nut.
- Remove arm when transporting or storing guitar in its case.
- Oil socket with a drop of 3 in 1 oil twice a year or more.

Overall String Height Adjustment:

- Turn string height studs C.W. to lower action.
- Turn string height studs C.C.W. to raise action.

Rear Tremolo Cavity



Spring Tension Adjustment:

Your Carvin guitar comes set up with a set of high quality 942 strings. If you continue to use the same brand and gage of strings, spring tension adjustment is normally not necessary. However, if you switch brands or gages you may need to re-adjust spring tension. Follow the steps below.

1. Tune up guitar to pitch.
2. Remove rear cover plate.
3. If tremolo rear end is to high in the air follow steps #4,5,6 & 11.
4. Tighten the two screws on the rear of the guitar that hold the spring claw, $\frac{1}{2}$ turn each with a phillips #2 driver.
5. Re-tune guitar and see if tremolo is parallel with guitar body.
6. If it's just right, go to step #11. If it's still to high repeat steps #4 & 5.
7. If tremolo rear end is setting to low in the tremolo cavity follow steps #8, 9, & 10.
8. Loosen the two screws that hold the spring claw, $\frac{1}{2}$ turn each with a phillips #2 driver.
9. Re-tune and see if tremolo is parallel with guitar body.
10. If it is just right, go to step #11. If it's still to low repeat steps #8 & 9.
11. Put rear cover plate back on.

Tips:

- When turning the two claw screws, have your guitar face down on a padded table.
- Hold screw driver firmly when turning, so as not to slip off screw head and scratch the back of your guitar.

CARVIN

800-854-2235 or www.carvin.com