

CARVIN PICKUP WIRING INSTRUCTIONS

LOCATING PICKUPS ON THE GUITAR

Determine where you want to locate your pickup(s). Then find the center line of the neck and draw a center line on the body. Use the paper template on the back of this sheet to locate the routing and the pickup mounting screw holes.

DRILLING PICKUP WIRE HOLE

If you are mounting the pickup directly on a wood body, you must drill a hole for the pickup wire. Use a 3/16" or 1/4" drill bit. If you have to drill through more than 2" of wood, you should use a special 12" long drill bit, which is available at most hardware stores.

PICKUP WIRING

All Carvin 22 series pickups have three wires plus a bare shield wire. The shield wire always goes to ground. The white wire only gets used if you want dual-to-single coil switching. If you don't want to use this feature, then tape the white wire back. The black and red wires are to be used for standard humbucking operation. **Solder red to hot and black to ground.** If your guitar sounds out of phase with both pickups on, reverse the red and black wires of one pickup.

WIRING THE CONTROLS

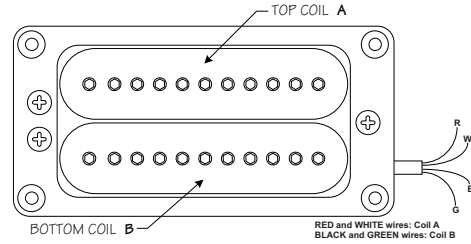
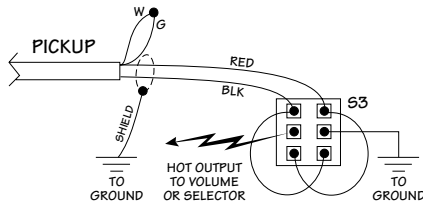
If you are using one of the Carvin circuits, just follow the desired wiring diagram. You should install a ground wire that runs from the tailpiece or bridge to the control area. Solder this ground wire to the back of one of the potentiometers. Be careful not to use excessive heat when soldering to the potentiometers or switches as you may damage them.

PHASE SWITCH WIRING

A phase switch can be wired into any two or three pickup guitar. As the diagram below shows, only one pickup is hooked up to the phase switch. The phase switch will only function when another pickup is used in conjunction with the pickup that is switched out of phase. The phase switch will give a nasal muted type sound with slightly less output.

Note: Solder green and white wires together unless otherwise specified. For pickups that do have the green wire disregard this note.

PHASE SWITCH WIRING



Dual-Single Coil Switch Wiring

To obtain humbucking operation when playing through both pickups in the single coil mode, wire one humbucking pickup using **fig 1** and the other pickup with the diagram in **fig 2** (also see Kit 40 DC127 diagram). Neck pickup coil A together with bridge pickup coil B sounds more like a telecaster. Neck pickup coil B & bridge pickup coil A together sound more like a Stratocaster.

Fig 1. Coil "A" on in single coil mode.

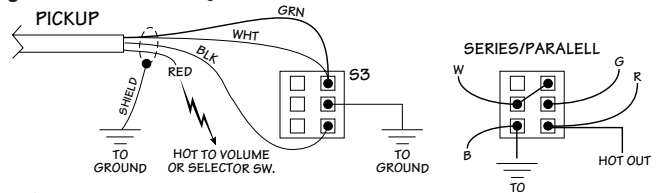


Fig 2. Coil "B" on in single coil mode.

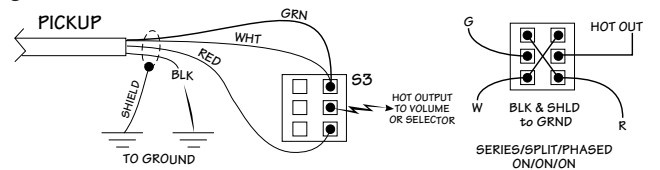
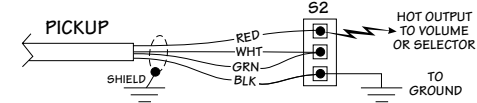


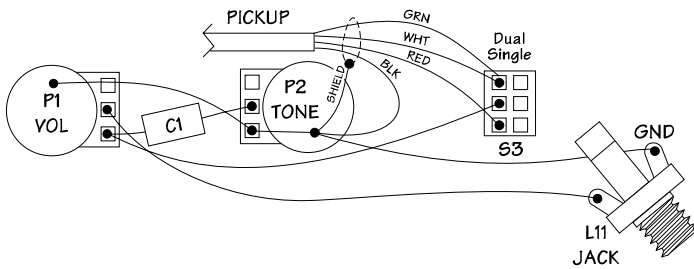
Fig 3. This wiring gives you three different sounds.

1. Top single coil, 2. dual coil humbucking or 3. bottom single coil. (As used on the TL60-33 circuit)



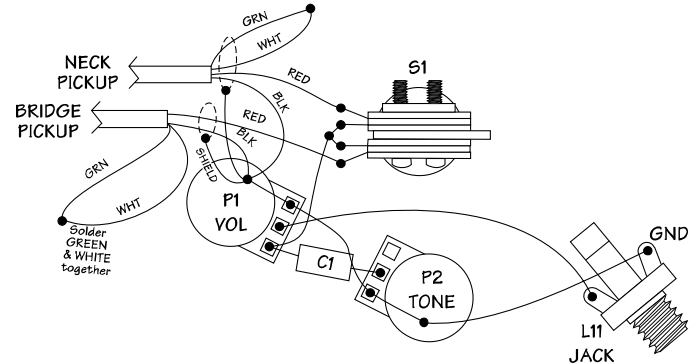
KIT 30

Single pickup guitar with volume, tone & coil splitter.



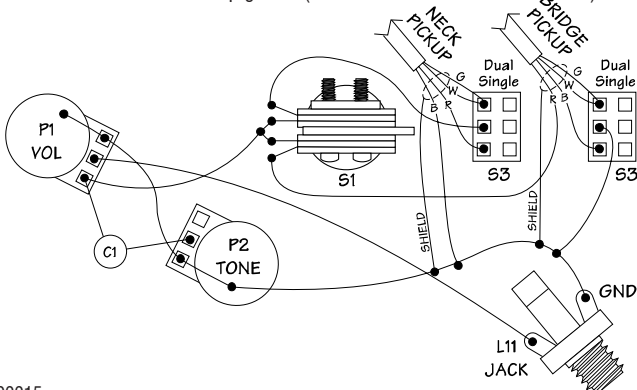
KIT 40

2 Pickup guitar with a 3-way pickup selector, 1 volume & 1 tone



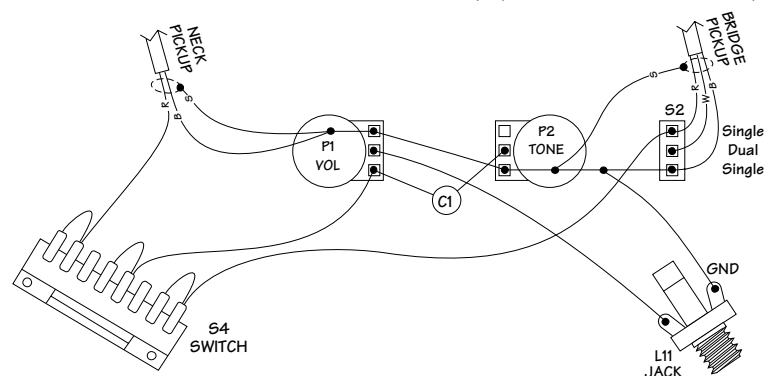
KIT 40 DC127 (includes 2 coil splitters)

For 2 Pickup guitar. (Used on the Carvin DC127 model)



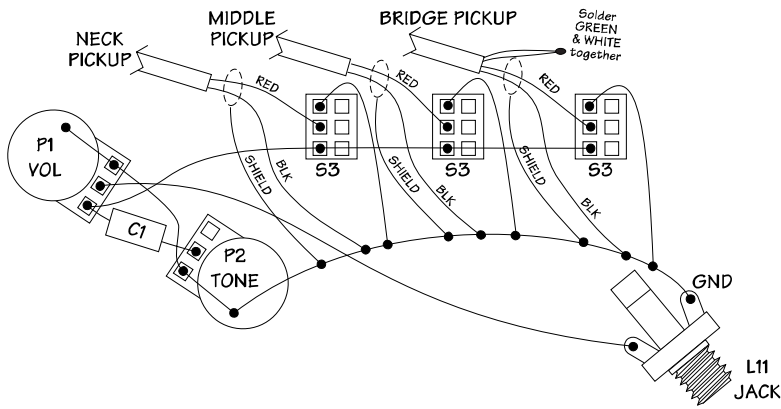
TL60-33

For 2 Pickup guitar. With 3-way Pickup Selector (S4) & 3-way Coil Splitter Switch (S2).



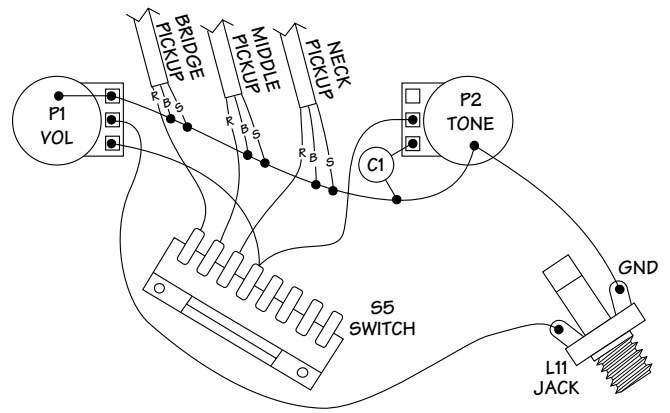
KIT 50

3 Pickup guitar with 3 ON/OFF switches. (Used on the Carvin DC135 model)



Kit 50 with 5-way Pickup Selector

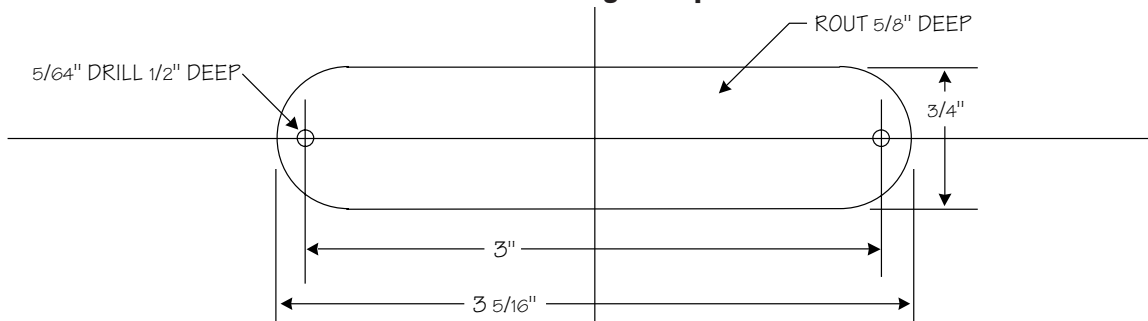
3 Pickup guitar with S5 switch. (Used on DC135 with 26 option)



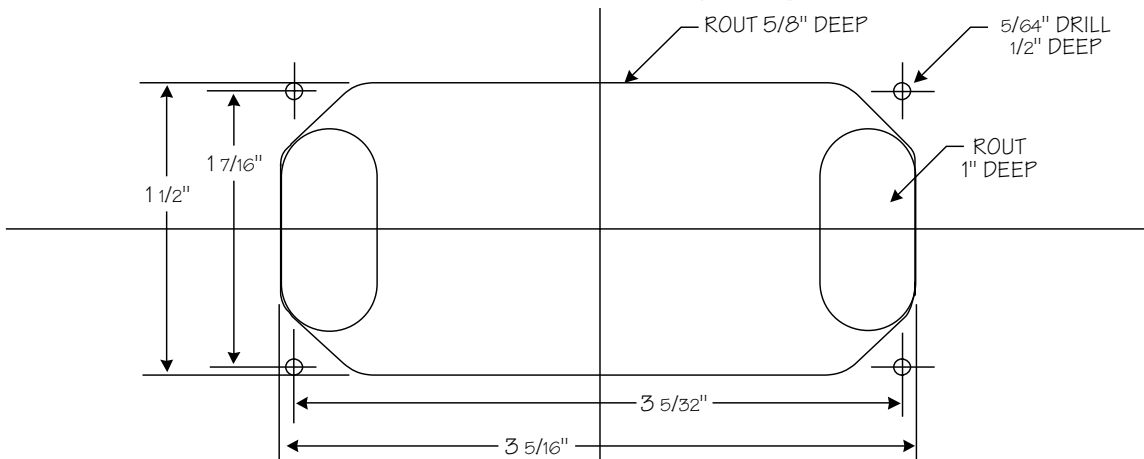
Note: Solder green and white wires together. For pickups that do not have the green wire, disregard this note.

Use these templates to route for Carvin pickups. Templates are exact size.

AP11 Routing Template



C22, H22 & M22 Routing Template



H50N & J99 Routing Template

